



# unigy I

## 12AVR-130

- Epoxy-sealed inserted posts deliver reliable standby power under the most demanding applications
- Space saving Absorbed Glass Mat (AGM) construction (48 volt system fits in 23" racks)
- Tank formed plates optimize cell voltage balance and performance
- Reinforced case resists bulging and meets safety requirements (rated 28 L.O.I.)
- Computer-aided design and manufacturing control processes and standards to ensure quality products
- All batteries meet or exceed IEEE 485 and Telcordia capacity requirements.
- Battery design and construction meet UL recognition requirements



### SPECIFICATIONS

**Nominal Voltage:** 12-Volt/125 ampere-hours @ 8 hr. rate to 1.75 final volts/cell

**Positive Plate:** Pure lead, low-calcium, high-tin alloy

**Negative Plate:** Lead calcium alloy

**Post Seal:** Epoxy-sealed

**Terminal:** 1/4" x 20 copper insert

**Container:** Flame-retardant, polypropylene - UL 94 V-O/>28% L.O.I.

**Safety Vent:** Low positive pressure, self-sealing w/ flame arrestor

**Float Voltage:** 2.25 volts per cell ± 0.01 vpc (13.50 volts per 6-cell unit)

**Battery Life:** 10 years in float applications at 77°F/25°C

**Dimensions:** 13.46" (342 mm) L x 6.77" (172 mm) W x 11.25" (286 mm) H

**Weight:** 98 lbs.

### DISCHARGE RATE IN AMPS\*\*

Volts Per Cell (V.P.C.)	15 MINS.	30 MINS.	1 HR.	3 HR.	5 HR.	8 HR.	10 HR.	12 HR.	20 HR.	24 HR.
1.75	238	153	89.5	36.1	23.6	15.6	12.7	10.8	6.66	5.59
1.78	225	148	87.7	35.7	23.3	15.4	12.6	10.7	6.59	5.54
1.80	216	144	86.6	35.4	23.1	15.3	12.5	10.6	6.56	5.51
1.84	189	130	79.3	33.7	22.2	14.8	12.1	10.3	6.37	5.36
1.85	183	126	77.6	33.3	22.0	14.7	12.0	10.2	6.33	5.32
1.86	177	123	75.5	32.7	21.6	14.4	11.8	10.0	6.24	5.25
1.88	164	116	71.4	31.5	20.9	14.0	11.5	9.74	6.06	5.10
1.90	150	106	66.1	30.1	20.1	13.4	11.0	9.33	5.81	4.89

\* @77°F (25°C) † Subject to change without notice.

"POWERED FOR PERFORMANCE"™

**EAST PENN manufacturing co., inc.**

Lyon Station, PA 19536-0147 • Phone: 610-682-6361 • Fax: 610-682-4781

Order Department Hotline: 610-682-4231

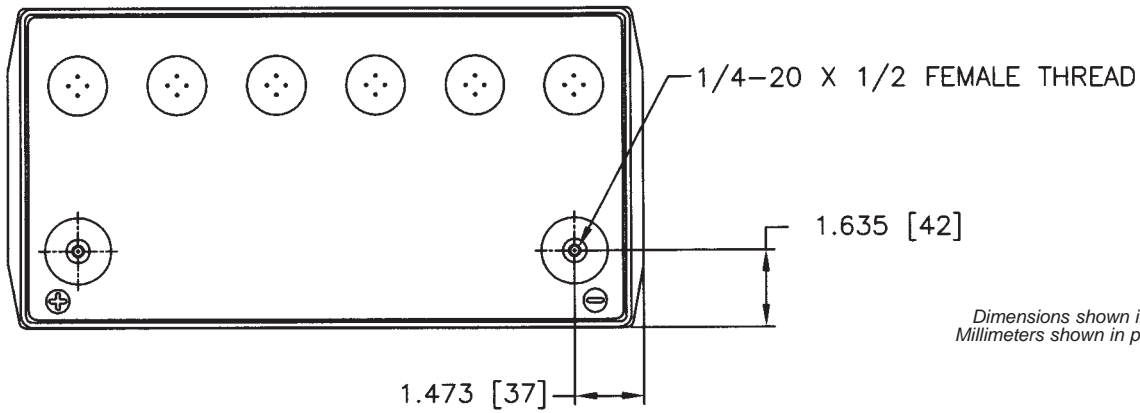
www.dekabatteries.com • E-mail: sales@eastpennunigy.com

E.P.M. Form No. 0982 Rev. 10/03 © 2003 by EPM Printed in U.S.A.

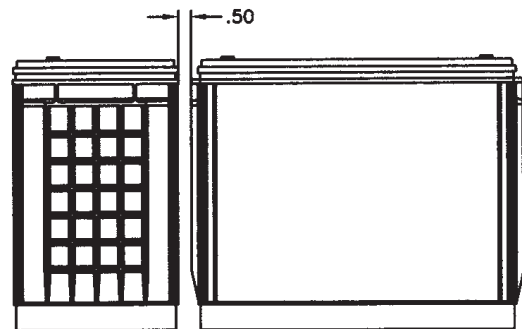
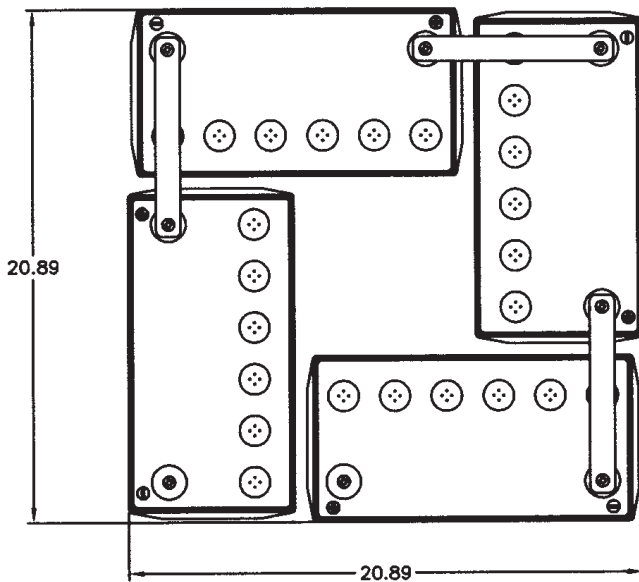
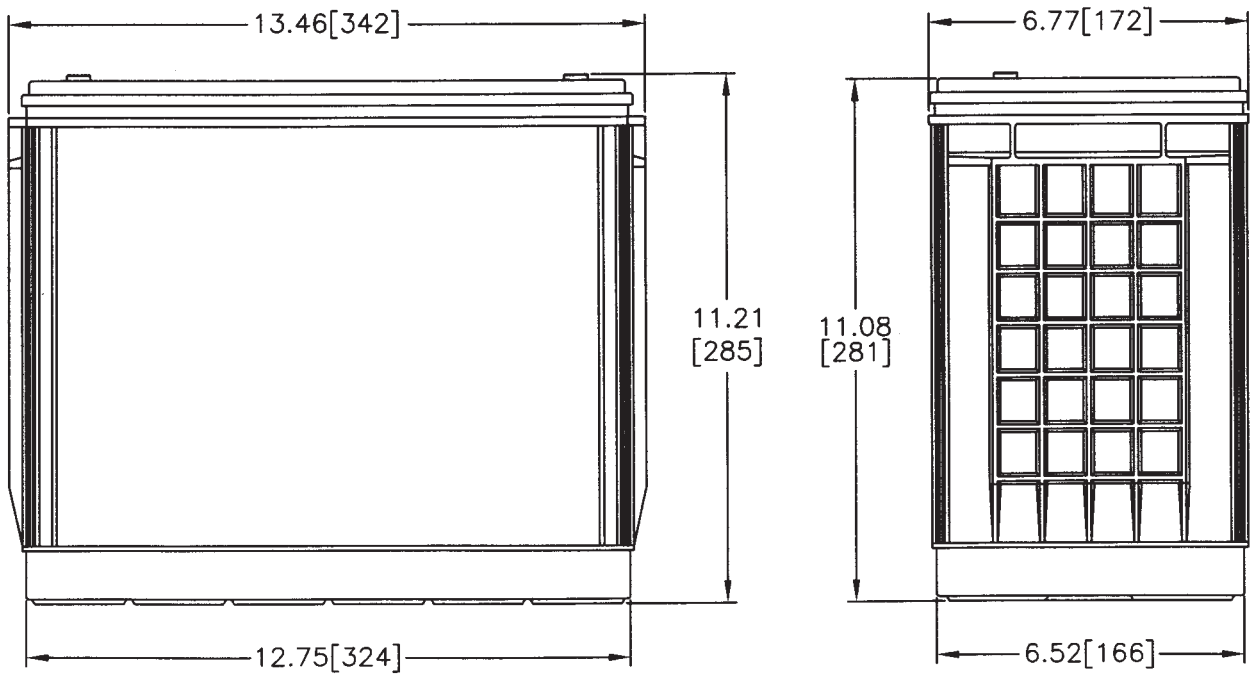
QUALITY SYSTEM  
CERTIFIED TO  
**ISO 9001**  
**QS 9000**



No part of this document may be copied or reproduced, electronically or mechanically, without written permission from the company.



Dimensions shown in inches.  
Millimeters shown in parenthesis.



Optional **Connector** (shown at left)  
is part number **JMP0712**.

**Insulating Cover** (over Connector)  
is part number **JCI0019-8**.