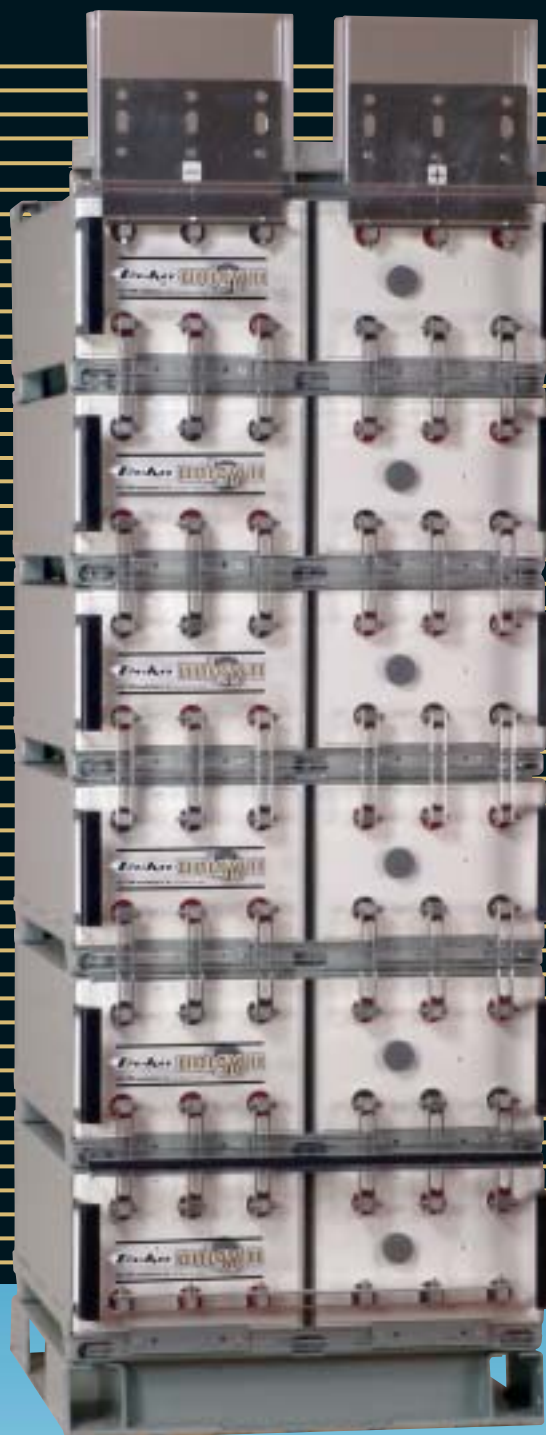




unigy II

Tomorrow's energy systems...today



**EVEN
MORE
POWER**
in LESS SPACE

**NEW
2000 AH
DESIGN**

**PATENTED
SPACESAVER™
INTERLOCK™
MODULE**

**LESS SPACE
& EVEN
GREATER
POWER THAN
PREVIOUS
DESIGN**

**ZONE 4
RATED***

**CATALYST
VENT**



QUALITY SYSTEM
CERTIFIED TO
ISO 9001
ISO/TS 16949

Made in U.S.A.

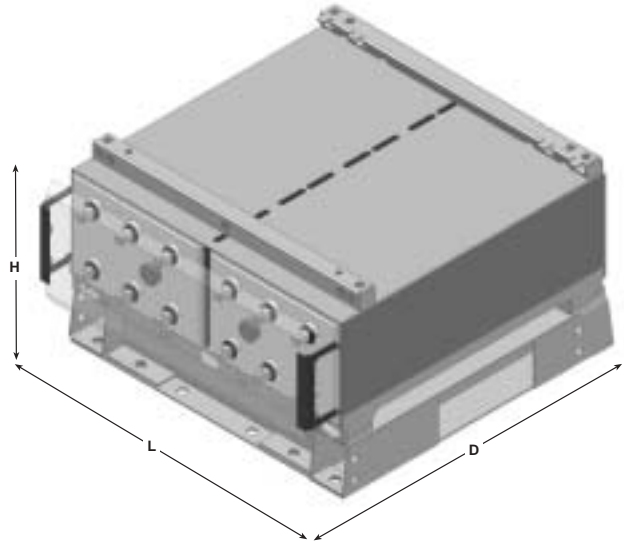
AVR125 - 2000 AH

AVR125-33 A.H. CAPACITY									
Volts Per Cell (V.P.C.)	3 HR	4 HR	5 HR	6 HR	8 HR	10 HR	12 HR	20 HR	24 HR
1.75	1551	1657	1759	1853	2000	2104	2182	2367	2423
AVR125-33 DISCHARGE RATE IN AMPS									
Volts Per Cell (V.P.C.)	3 HR	4 HR	5 HR	6 HR	8 HR	10 HR	12 HR	20 HR	24 HR
1.75	516.9	414.3	351.9	308.8	250.0	210.4	181.8	118.4	101.0

No. Cells/Module	No. Plates/Cell	Module Number ¹	Module. Volts	Amp Hour C/8 @ 1.75 vpc	Dimensions			
					Length ² (mm)	Depth ³ (mm)	Height ⁴ (mm)	Weight ⁵ (kgs.)
2	33	J0021125331L2	4	2000	26.60" (676)	28.63" (727)	11.91" (303)	718 lbs. (326)

* Modules have been tested and certified to NEBS Zone 4. (See East Penn for more information.)

- ¹ Flame retardant polypropylene jars and covers standard.
- ² For system length, take dimension and multiply by number of stack. For side termination, add an additional 6" (3" per side).
- ³ Includes front shield.
- ⁴ For module stack height, subtract 1.5" from height and multiply the number of modules and then add 1.5". For overall battery height (top termination) add 4" for base, 1.5" for termination bracket and 6.25" for top shield.
- ⁵ Weight includes module plus cells, but not cell hardware or base.



"POWERED FOR PERFORMANCE"™

DISTRIBUTED BY:

EAST PENN manufacturing co., inc.

Lyon Station, PA 19536-0147 • Phone: 610-682-6361 • Fax: 610-682-4781

Order Department Hotline: 610-682-3262

www.eastpennunigy.com • e-mail: sales@eastpennunigy.com

E.P.M. Form No. 0983 12/04 © 2004 by EPM Printed in U.S.A.

All data subject to change without notice. No part of this document may be copied or reproduced, electronically or mechanically, without written permission from the company.